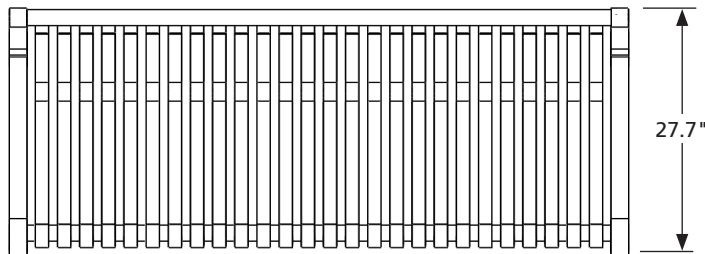
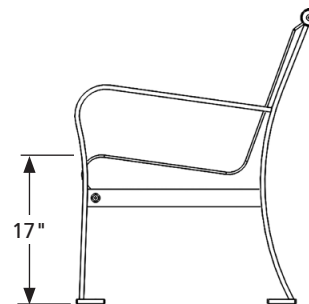
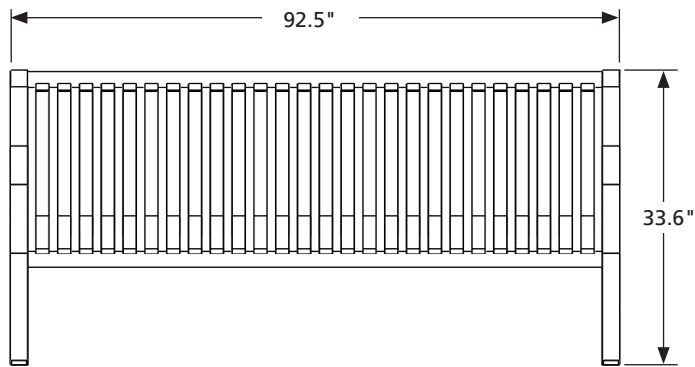




SUPERIOR SERIES

Model:	SV8
Description:	8' (2.4 m) Superior Bench with Back
End Frame:	0.5" x 2" (12.7 x 50.8 mm) Solid Steel Flat Bar.
Seat Section:	0.25" x 1.5" (6.35 x 38.1 mm) Steel Flat Bar and HSS Tubing
Type:	Modular Steel with Vertical Slat
Options:	Also Available in 4' (1.22m) and 6' (1.83 m)
Finish:	Polyester powder coating applied electrostatically over sand blasted and zinc primer coated substrate
Installation:	Bench is assembled at factory. We recommend all benches be securely anchored using the holes provided in feet.
Maintenance:	Periodically wipe down to keep clean.



Dimensions:	IMPERIAL	METRIC
Length:	92.5"	(2350 mm)
Width:	27.7"	(704 mm)
Height:	33.6"	(853 mm)
Seat Height:	17"	(432 mm)